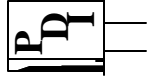
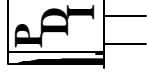


Precision Devices, Inc.



8840 N. Greenview Dr.
 Middleton, WI 53562
 Phone: 608-831-4445
 1-800-274-XTAL
 Fax: 608-831-3343



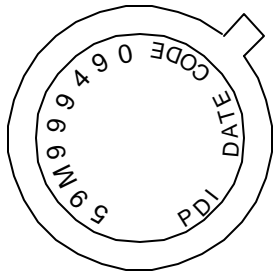
Visit our web site at www.pdixtal.com

Sales Information sales@pdixtal.com

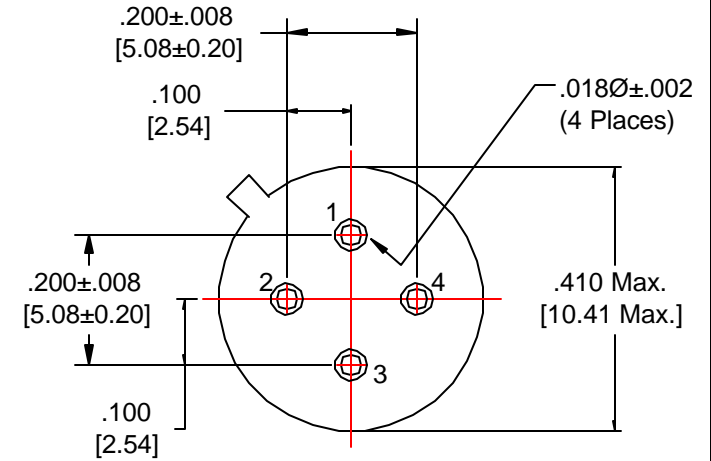
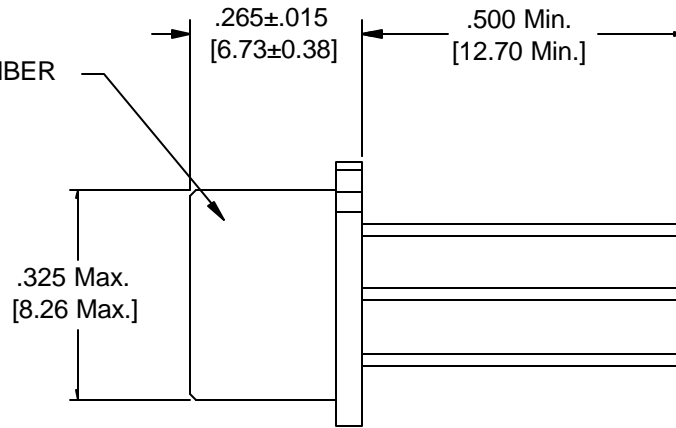
ELECTRICAL SPECIFICATIONS:

1. Nominal Frequency: 59.999490 MHz
2. Cut: SC-cut
3. Overtone: 3rd
4. Circuit Condition: Series
5. Holder Style: HC-35/U (TO-5 4-pin Mount)
6. Load Capacitance (CL): N/A
7. Frequency Calibration Tolerance: ± 5.0 ppm @ +85°C
8. Frequency Temperature Stability: ± 2.0 ppm of 80/c over +70°C to +90°C
9. Turning Point: N/A
10. Operating Temperature Range: +70°C to +90°C
11. Dips (Perturbations): N/A
12. Shunt Capacitance (Co): T.B.D.
13. Motional Resistance (R1): 80 Ohms Maximum
14. Motional Capacitance (C1): 0.17fF $\pm 10\%$
15. Motional Inductance (L1): N/A
16. Quality Factor (Q): N/A
17. Pullability: N/A
18. G Sensitivity: 5 x 10E-10 maximum from 10Hz to 2000Hz (Prefer 2 x 10E-10)
19. Aging: 1ppm/year maximum
20. Spurious: No spurs 0 to 10Khz, -20dB from +10Khz to +50Khz, -10dB above 50Khz
21. Phase Noise: N/A
22. Drive Level: 1.0mW
23. Environmental Tests: Gross Leak: Test 100%, Fine Leak: 1 x 10E-8 ATM cm²/sec, Thermal Shock: -55°C to 95°C 5 cycles, Temperature Test: 100%
24. Customer Drawing: 3991-0398
25. Special Requirements: N/A

REV.	DATE	PAGE	DESCRIPTION	Auth.	ECN
FOR PRELIMINARY USE ONLY Specifications subject to change without notice.					
TITLE		FKA		16613	
T-05 Crystal Assembly					
PART NUMBER TR59999X3SSSEX					
DATE	SCALE	ECN	REV.		
9/18/07	N.T.S.	N/A	N/A		
SIZE	CAGE	Page 1 of 2			
A	0S4G1				



FKA PART NUMBER

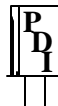


BOTTOM VIEW

Pin #	Function
1	Crystal
2	Ground
3	Crystal
4	N/C

Precision Devices Inc.

8840 N. Greenview Dr.
Middleton WI 53562
608-831-4445
1-800-274-XTAL



Manufacturer of Quartz Crystal Products

DECIMAL XX=±.020 XXX=±.008	DWG FILE 16613	PART NUMBER TR59999X3SSSEXX	
METRIC XX=±.50 XXX=±.20	SCALE N.T.S.	FREQUENCY 59.999490MHz	DRAWN BY D. Gibney
ANGULAR XX=±2°	REV. LEVEL N/A	ECN NO. N/A	DATE 9/18/07
		CAGE CODE 0S4G1	Page 2 of 2